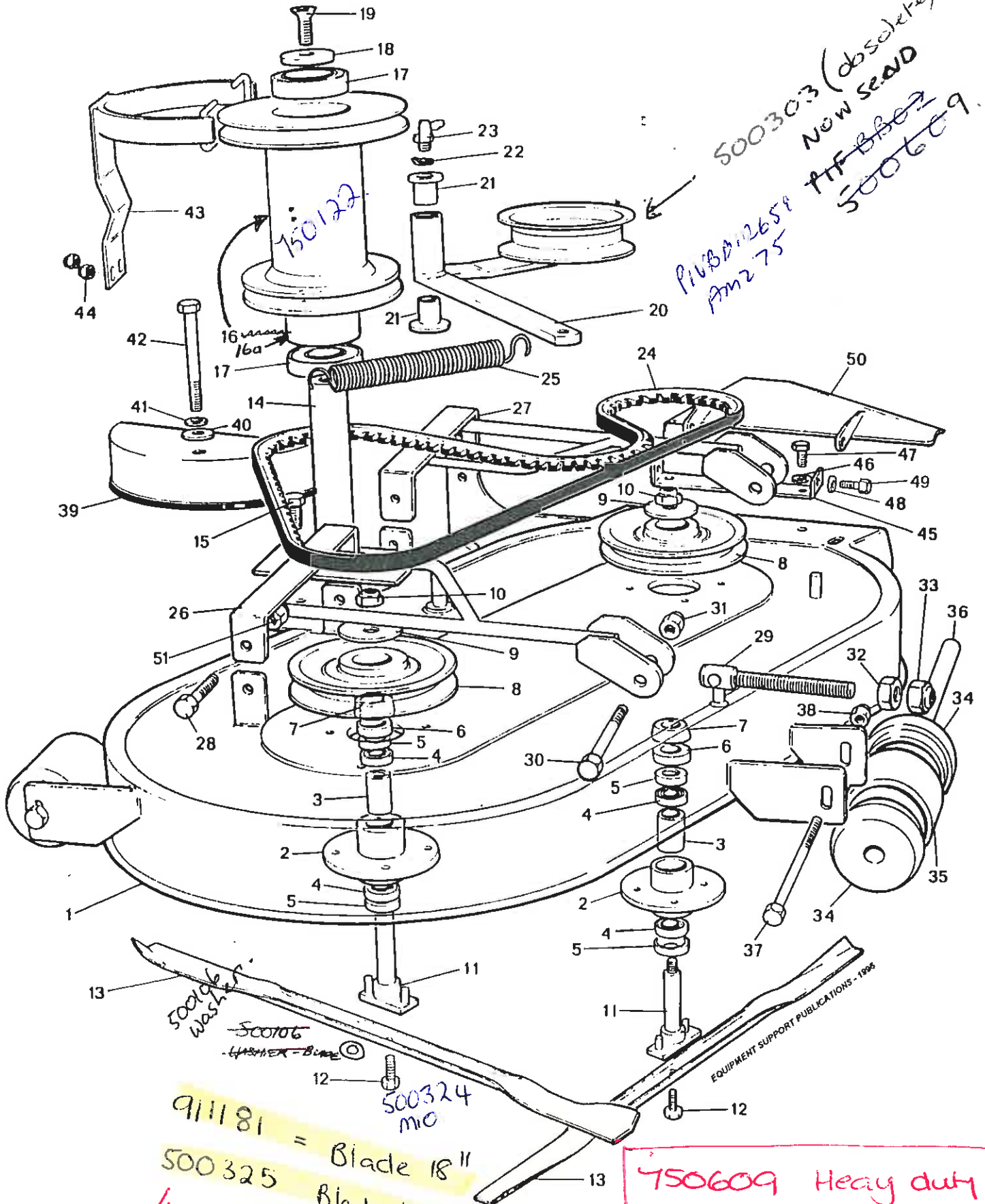


CHEETAH 900mm DECK

751005

36" deck

Cheetah
900 mm
Deck



50006 Washer
 50006
 WASHNER-BLUE
 911181 = Blade 18"
 500325 Blade heavy duty
 500324 mo
 Send m10x1.25 bolt
 and no washers.

750609 Heavy duty
 Washer 10 mm
 Send now with
 911181 blades.

EQUIPMENT SUPPORT PUBLICATIONS - 1996

750152 900 mm deck (bare)

751005 - 900 mm deck complete (bells etc) (2 spindles)

CHEETAH 900mm DECK PARTS LIST

REF NO.	PART NO.	DESCRIPTION
1	750152	Deck - Cutter
2	500099	Housing - Spindle
3	850086	Spacer - Bearing
4	750338	Bearing
5	750282	Seal - Spindle
6	500175	Spacer - Spindle
7	500111	Bush - Taper
8	850137	Pulley - Spindle
9	500176	Washer - Spindle Pulley
10	758153	Nut - Nyloc M16 x 1.5
11	500323	Spindle Assy
12	500324	Bolt - M10 x 30 x 1.25
13	911181	Blade 18"
	500325	Blade - Heavy Duty
14	750147	Shaft Assy - D/Idler
15	750139	Screw - Set M10 x 35
16	750122	Pulley - D/Idler
169	750337	Bearing
18	751149	Washer - C/Sunk
19	751148	Screw - C/Sunk M10 x 25
20	500095	Arm - Tension
21	750241	Bush - Plastic
22	750207	Circlip 16mm
23	750216	Nipple - Grease
24	500283	V Belt - AX60
25	750385	Spring - Tension
26	500309	Arm - Connecting L/H
27	500310	Arm - Connecting R/H
28	750140	Screw - Set M12 x 25
29	751049	Adjuster - Pan
30	750107	Screw - Set M12 x 50
31	750104	Nut - Nyloc M12
32	750209	Nut - M16 Hex
33	750128	Nut - Nyloc M16
34	005478	End Cap x 2 <i>x 2 per wheel</i>
35	500260	Tube - Roller
36	500281	Axle - Roller
37	500257	Bolt - M10 x 110
38	750127	Nut - Nyloc M10
39	500311	Guard - Pulley
40	750156	Washer - Flat M8 x 21
41	750157	Washer - Spring M8
42	750591	Screw - Set M8 x 80
3	750150	Guide - Belt
44	750102	Nut - Nyloc M8
45	750164	Bracket - Flap
46	750156	Washer - Flat M8 x 21
47	750116	Screw - Set M8 x 20
48	750156	Washer - Flat M8 x 21
49	750116	Screw - Set M8 x 20
50	750163	Flap
51	750104	Nut - Nyloc M12

CHEETAH 900mm DECK PARTS LIST (Continued)

REF NO.	PART NO.	DESCRIPTION
---------	----------	-------------

PARTS NOT ILLUSTRATED

500303	Pulley - Idler
750135	Nut - Nyloc 3/8 NF
500294	V Belt - B89
500106	Washer - Blade
750219	Grease Nipple - D/Idler Pulley

500315 MULCH PLATE

CHEETAH 900mm PARTS LIST

REF NO	PART NO	DESCRIPTION
1	KS750152	Deck - Cutter
2	KS500099	Housing - Spindle
3	KS850086	Spacer - Bearing
4	KS750338	Bearing
5	KS750282	Seal - Spindle
6	KS500175	Spacer - Spindle
7	KS500111	Bush - Taper
8	KS850137	Pulley - Spindle
9	KS500176	Washer - Spindle Pulley
10	KS758153	Nut - Nyloc M16 x 1.5
11	KS500323	Spindle Assy
12	KS500324	Bolt - M10 x 30 x 1.25
13	KS911181	Blade 18" KS500325 Blade - Heavy Duty
14	KS750147	Shaft Assy - D/Idler
15	KS750139	Screw - Set M10 x 35
16	KS750122	Pulley - D/Idler
16a	KS750167	Spacer - D/Idler
17	KS750337	Bearing
18	KS751149	Washer - C/Sunk
19	KS751148	Screw - C/Sunk M10 x 25
20	KS500095	Arm - Tension
21	KS750241	Bush - Plastic
22	KS750207	Circlip 16mm
23	KS750216	Nipple - Grease
24	KS500283	V Belt - AX60
25	KS750385	Spring - Tension
26	KS500309	Arm - Connecting LH
27	KS500310	Arm - Connecting RH
28	KS750140	Screw - Set M12 x 25
29	KS751049	Adjuster - Pan
30	KS750107	Screw - Set M12 x 30
31	KS750104	Nut - Nyloc M12
32	KS750209	Nut - M16 Hex
33	KS750128	Nut - Nyloc M16
34	KS005478	End Cap
35	KS500260	Tube - Roller
36	KS500261	Axle - Roller
37	KS500257	Bolt - M10 x 110
38	KS750127	Nut - Nyloc M10
39	KS500311	Guard - Pulley
40	KS750156	Washer - Flat M8 x 21
41	KS750157	Washer - Spring M8
42	KS750591	Screw - Set M8 x 80
43	KS750150	Guide - Belt
44	KS750102	Nut - Nyloc M8
45	KS750164	Bracket - Flap
46	KS750156	Washer - Flat M8 x 21
47	KS750116	Screw - Set M8 x 20
48	KS750156	Washer - Flat M8 x 21
49	KS750116	Screw - Set M8 x 20
50	KS750163	Flap
51	KS750104	Nut - Nyloc M12

PARTS NOT ILLUSTRATED

KS500303	Pulley - Idler	KS750135	Nut - Nyloc 3/8 NF
KS500294	V Belt - B89	KS500106	Washer - Blade
KS500315	Mulch Plate	KS750219	Grease Nipple - D/Idler Pulley

Also send with mulch plate:-

KS750156 x 2	Washer	KS750370 x 2	Wing nut
--------------	--------	--------------	----------