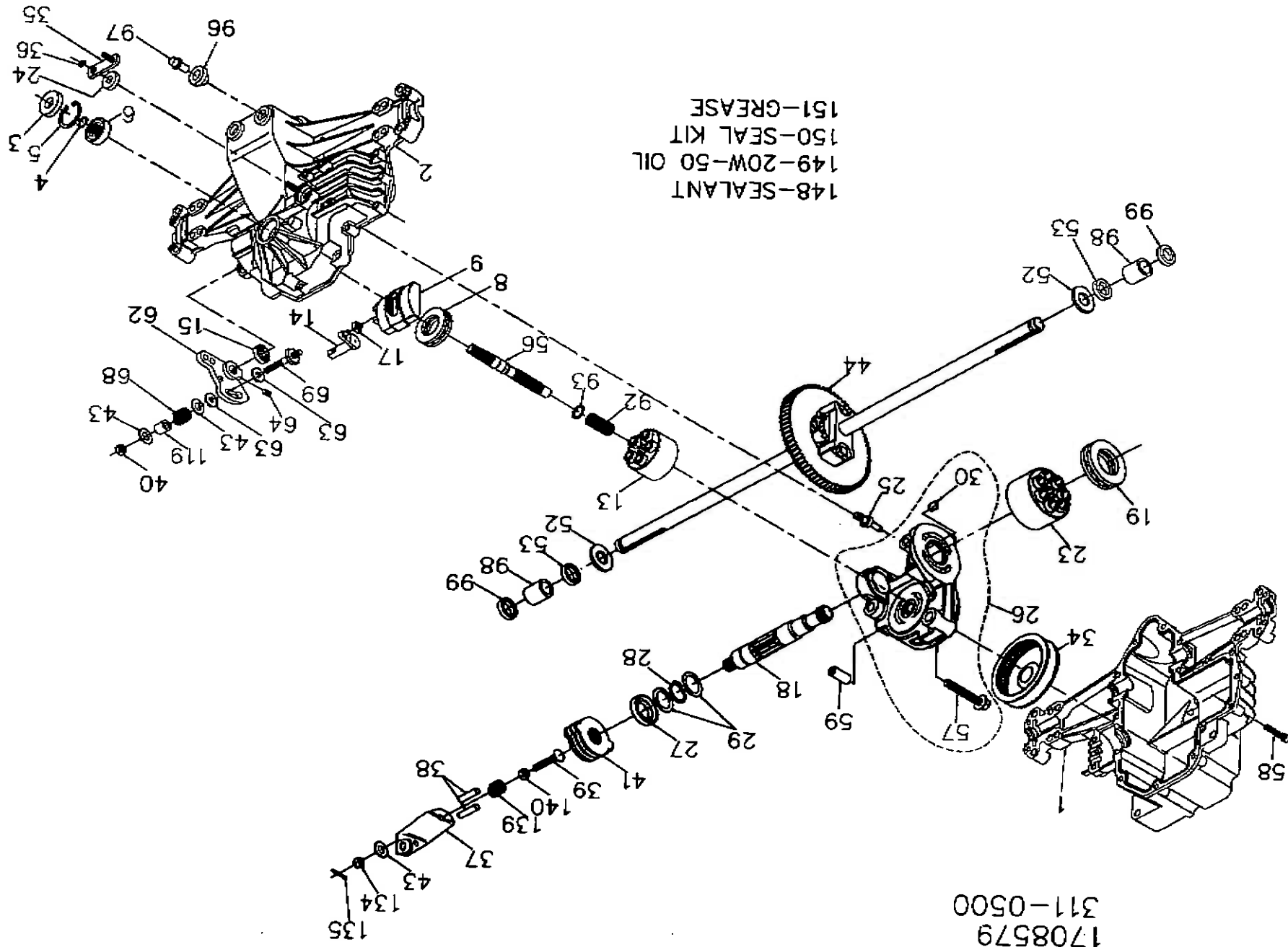


Hydrogear - Briggs

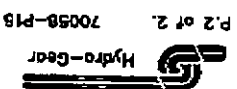


148-SEALANT  
 149-20W-50 OIL  
 150-SEAL KIT  
 151-GREASE

1708579  
 311-0500

Hydrogear - Briggs

ITEM NO	HYDRO-GEAR PART NO	DESCRIPTION	QTY
39	50316	BOLT-5/16-24 X 1-3/4	1
40	50317	NUT-HEX LOCK 5/16-24 UNJC	1
41	70135	BRAKE ROTOR/STATOR KIT	1
42		BRAKE STATOR	4
43	44130	BRAKE ROTOR	2
44	70126	DIFFERENTIAL ASSEMBLY	1
		AXLE SHAFT	2
		72T DIFFERENTIAL GEAR	1
		DIFFERENTIAL HOUSING	2
		14T BEVEL GEAR	2
		10T PLANET GEAR	2
		RETAINING RING	2
		DIFFERENTIAL LOCKING BOLT	2
		DIFFERENTIAL SPACER	1
		WASHER-3/4 X 1.5 X .13	2
		SEAL-.75 X 1.25 X .250	2
		SHAFT-INPUT	1
		BOLT, 3/8-24 X 2.5	3
		BOLT-1/4-20 X 1.38	20
		PIN-.5 OD X .43 ID X .750	2
		ARM-CONTROL	1
		PUCK-DAMPENER	2
		SET SCREW	1
		SPRING	1
		5/16-24 STUD	1
		SPRING, BLOCK	1
		WASHER, BLOCK THRUST	1
		BUSHING, VENT	1
		VENT	1
		SLEEVE BEARING	2
		SEAL, LP 0.75X1.00X0.158	2
		SPACER	1
		SLOTTED NUT, 5/16-24	1
		COTTER PIN	1
		COMPRESSION SPRING	1
		NUT, HEX 5/16-24	1
		SEALANT	1
		20W-50 OIL	77oz
		SEAL KIT	1
		GREASE	1
151	50416		
150	70312		
149			
148	50928		
140	50269		
139	50431		
135	44101		
134	44142		
119	50278		
99	50941		
98	50137		
97	50134		
96	50133		
93	2003017		
92	2003014		
69	50284		
68	50277		
64	50018		
63	50281		
62	50254		
59	50002		
58	44876		
57	50016		
56	50005		
53	45076		
52	44875		



ITEM NO	HYDRO-GEAR PART NO	DESCRIPTION	QTY
1	44863RM	HOUSING, LOWER	1
2	70254	ASSEMBLY, UPPER HOUSING	1
3	9008000-0128	TRUNNION JOURNAL BEARING	1
4	2003016	SEAL-LIP	1
5	2003052	RING-WIRE RETAINING	1
6	2003043	RING-RETAINING	1
8	50551	BEARING-SHAFT BALL	1
9	2003087	BEARING-THRUST 30X52X13	1
13	70331	SWASHPLATE-VARIABLE	1
		BLOCK-CYLINDER ASS'Y.	1
		BLOCK-CYLINDER	1
		PISTON	5
		PISTON SPRING	5
		PISTON SPRING WASHER	5
14	2003005	ARM-TRUNNION	1
15	9008000-0126	SEAL-LIP	1
17	2000015	GUIDE-SLOT	1
18	50449	SHAFT-MOTOR	1
19	50552	BEARING-THRUST 42X68X16	1
23	70082	BLOCK-CYLINDER ASS'Y.	1
		BLOCK-CYLINDER	1
		PISTON	7
		PISTON SPRING	7
		PISTON SPRING WASHER	7
24	45074	SEAL-LIP 10X25X7	1
25	2003555	ACTUATOR-BYPASS	1
26	70250	KIT, CENTER SECTION	1
		PLATE, BYPASS	1
		CHECK PLUG ASSEMBLY	2
		CENTER SECTION	1
		DU BEARING	1
		BOLT, 3/8-24 X 2.5	3
		BUSHING, 1.02 X 1.1 X .67	1
27	45075	SEAL-LIP 26X42X8	1
28	50007	RING-RETAINING	1
29	44872	WASHER-26X35X1	2
30	70680	KIT, BYPASS PLATE	1
34	50990	FILTER	1
35	50126	ARM-BYPASS	1
36	44870	RING-RETAINING	1
37	23710	ARM-ACTUATING	1
38	44891	PIN-ACTUATING	2

Hydrogear - Briggs

1708579  
311-0500