

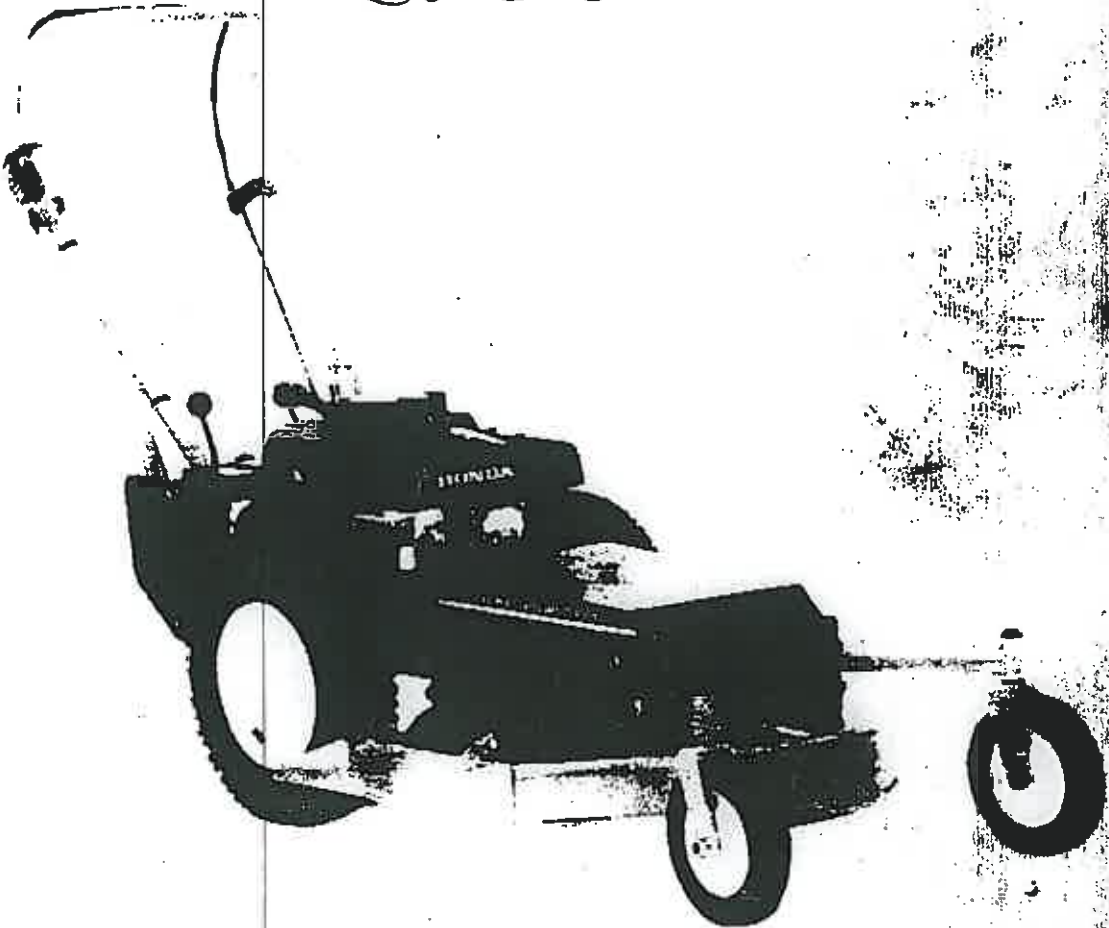
Grassmaster 610
or Cub 610 (similar)

Masport

GRASSMASTER 610

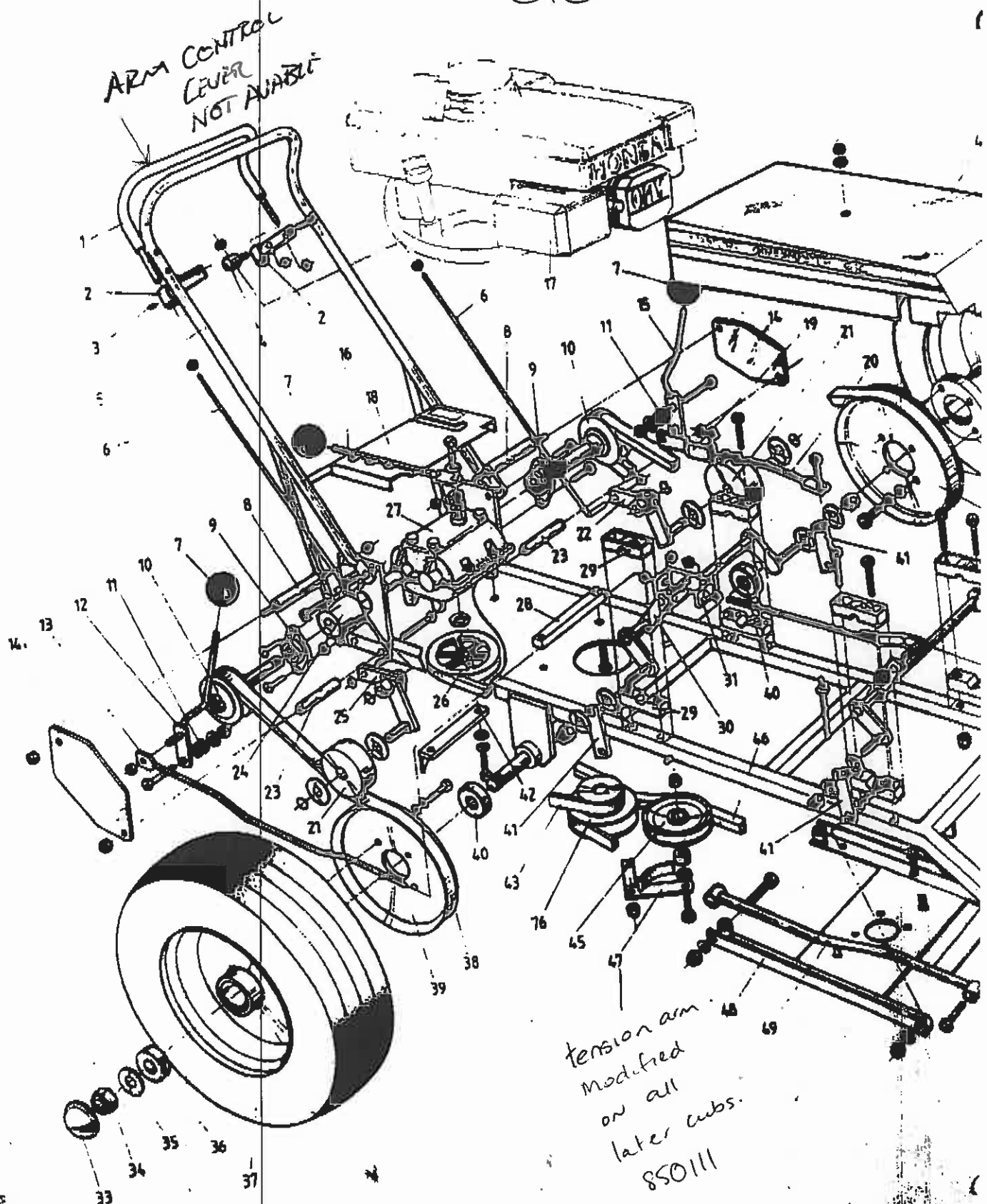
1994 - 1995

CUB 610



Cub 610 or Grassmaster 610

Grassmaster 610 Power by Honda GXV 160

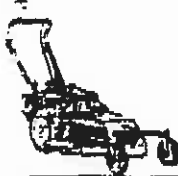


Cub 610
OR Grassmaster 610

Kiwi Mowers Limited
PO Box 185, Katikati
Ph 07-549 1237 Fax 07-549 0393
www.kiwimowers.co.nz
email: kingeat@xtra.co.nz
Honda GXV 160

GRASSMASTER 610
1994 to _____

| Item No | Part No | Description | Qty | Item No | Part No | Description | Qty |
|---------------------|---------|-------------------------------|-----|---------|---------|----------------------------|-----|
| TRACTOR UNIT | | | | 30 | 850071 | Shaft Assembly, Lift | 2 |
| 1 | 850082 | Arm, Control | 1 | 31 | 850156 | Connector, Tie Rod | 1 |
| 2 | 850108 | Bracket, Control Arm | 2 | 32 | 850164 | Link, Lift (Front) | 1 |
| 3 | 750103 | Screw, Grub 5/16" x 3/8" | 1 | 33 | 750292 | Greasecap | 2 |
| 4 | 850154 | Toggle | 2 | 34 | 750128 | Nut, Nyloc M16 | 3 |
| 5 | 850069 | Handle Assembly | 1 | 35 | 850121 | Washer | 2 |
| 6 | 850175 | Link, Control (85054b) on cub | 2 | 36 | 750338 | Bearing | 2 |
| 7 | 750237 | Knob, Control | 3 | 37 | 850128 | Wheel Assembly, Rear | 2 |
| 8 | 850099 | Spacer, Rear Cover (Bolt) | 2 | 38 | 850115 | V Belt, A46 | 2 |
| 9 | 754124 | Bearing Assembly | 2 | 39 | 850131 | Pulley, Wheel | 2 |
| 10 | 850123 | Shaft Assembly Output | 2 | 40 | 750338 | Bearing | 2 |
| 11 | 850119 | Spring, Lever | 2 | 41 | 850091 | Hanger, Deck | 4 |
| 12 | 850166 | Lever, Lift | 1 | 42 | 850188 | Guard, Pulley | 2 |
| 13 | 850161 | Lever, Rear Lift | 1 | 43 | 850114 | V Belt, A26 | 1 |
| 14 | 850105 | Cover, Side | 2 | 44 | 850104 | Cover, Front | 1 |
| 15 | 850169 | Lever, Engage | 1 | 45 | 850117 | Pulley, Idler | 1 |
| 16 | 850172 | Lever, Gear | 1 | 46 | 754195 | V Belt, B53 | 1 |
| 18 | 850004 | Panel, Control | 1 | 47 | 850111 | Arm, Tension | 1 |
| 19 | 850157 | Link, Fixed Engage Lever | 1 | 48 | 850024 | Subframe | 1 |
| 20 | 850158 | Link, Adjustable Engage Lever | 1 | 49 | 850134 | Pulley, Engine | 1 |
| 21 | 850126 | Pulley, Jockey | 2 | 50 | 850033 | Chassis | 1 |
| 22 | 850063 | Arm Assy, LH Wheel Drive | 1 | 51 | 750219 | Nipple, Grease | 3 |
| 23 | 850100 | Spacer, Rear Cover (Sleeve) | 2 | 52 | 750207 | Circlip, 16mm | 2 |
| 24 | 850092 | Coupling, Shaft | 2 | 53 | 750241 | Bush | 4 |
| 25 | 850062 | Arm Assy, RH Wheel Drive | 1 | 54 | 850121 | Washer, Flat 5/8" x 1 1/2" | 4 |
| 26 | 850087 | Pulley, Gearbox Input | 1 | 55 | 850116 | Wheel Assembly, Front | 2 |
| 27 | 850103 | Gearbox | 1 | 56 | 850137 | Bolt, M8 x 65 | 2 |
| 28 | 850097 | Spacer, Rear Engine | 1 | 57 | 850032 | Nut, Nyloc 1/2" | 2 |
| 29 | 850118 | Bearing, Nylon | 8 | 76 | 850022 | Arm Assembly, Stabiliser | 1 |
| | | | | 77 | 850084 | Bracket, Castor | 2 |



Grassmaster 610: Powered by:
Honda GXV 160

Kiwi Mowers Limited
PO Box 185 Katikati
Ph 07-549 1237 Fax 07-549 0393
www.kiwimowers.co.nz
email: kingeat@xtra.co.nz
GRASSMASTER 610
1994 to _____

| Item No | Part No | Description | Qty | Item No | Part No | Description | Qty |
|-------------------------------|---------|-----------------|-----|------------------------|-----------------------|-------------------------|-----|
| BLADE AND HOUSING ASSY | | | | 68 | 840140 | Housing, Spindle | 1 |
| 58 | 750219 | Nipple, Grease | 5 | 69 | 850142 | Spindle - Grassmaster | 1 |
| 59 | 750128 | Nut, Nyloc M16 | 3 | 70 | 750127 | Nut, Nyloc M6 | 19 |
| 60 | 850151 | Washer, Spindle | 1 | 71 | 850146 | Blade - Grassmaster 610 | 1 |
| 61 | 850137 | Pulley, Spindle | 1 | 72 | 750182 | Bolt | 1 |
| 62 | 754195 | V Belt, B53 | 1 | 73 | 750266 | Screw, Set M10 x 30 | 1 |
| 63 | 850081 | Deck | 1 | 74 | 850191 | Washer, Blade | 1 |
| 64 | 850075 | Flap | 1 | 75 | 750686 | Bush-Pulley Centre | 1 |
| 65 | 850074 | Bracket, Flap | 1 | NOT ILLUSTRATED | | | |
| 66 | 750282 | Seal, Spindle | 2 | 850086 | Spacer-Single Bearing | 1 | |
| 67 | 750338 | Bearing | 2 | | | | |

or Cub 610
 Grassmaster 610

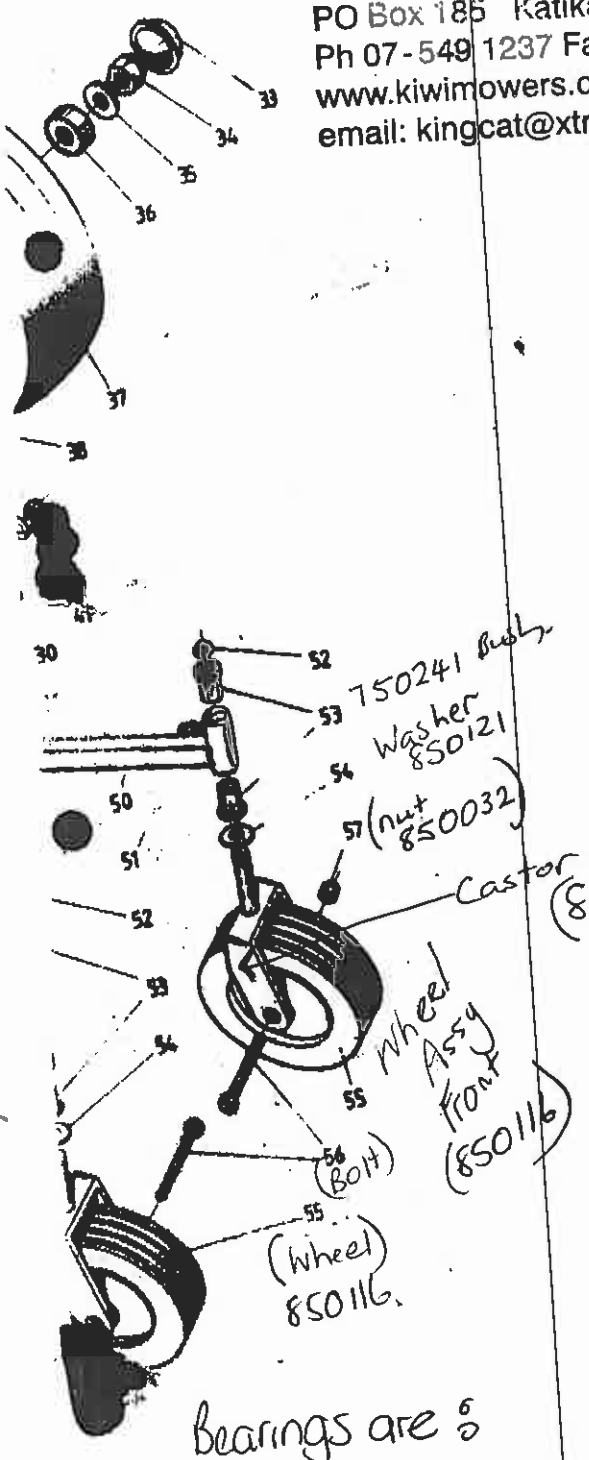
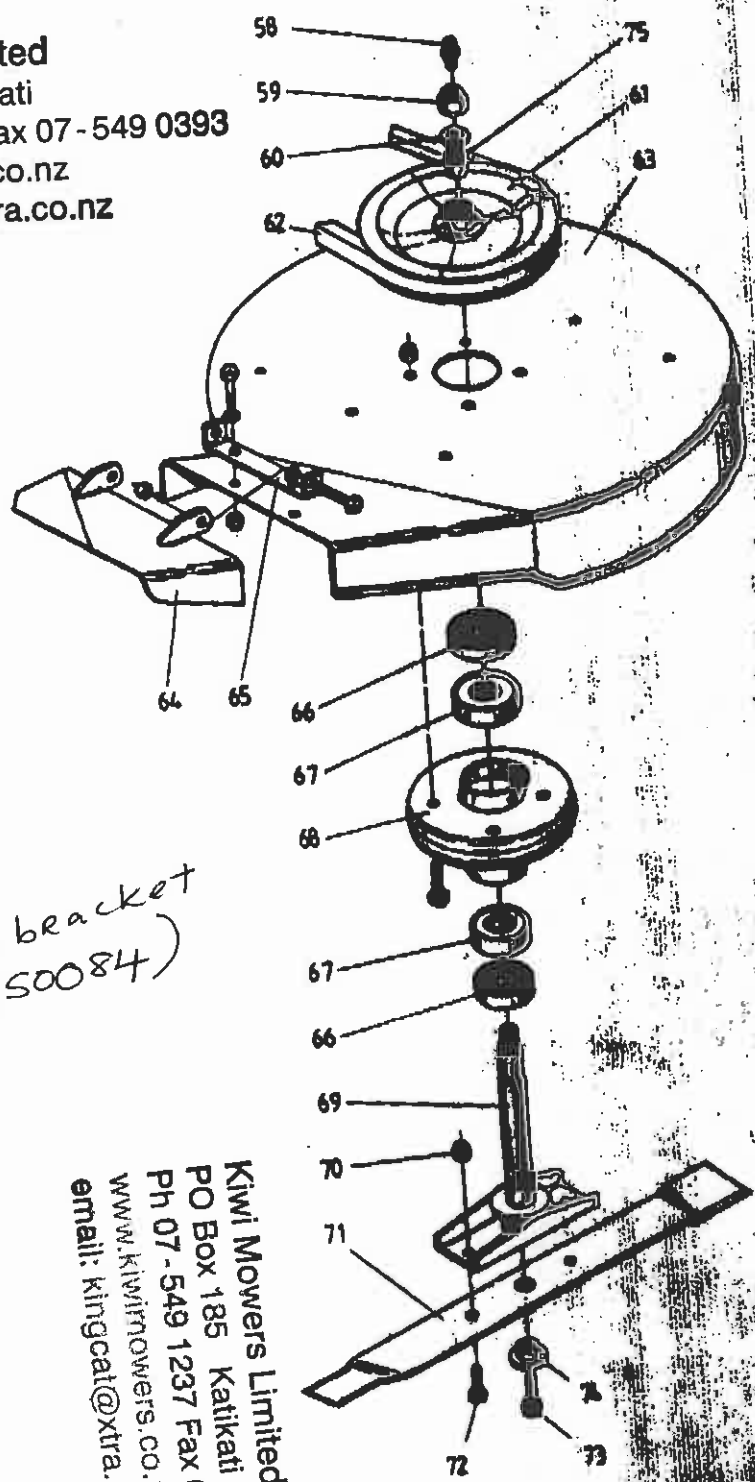
GRASSMASTER 610
 (1998 on)



Grassmaster 610: Powered by:
 Honda GXV 160

BLADE AND HOUSING ASSY

Kiwi Mowers Limited
 PO Box 185 Katikati
 Ph 07-549 1237 Fax 07-549 0393
 www.kiwimowers.co.nz
 email: kingcat@xtra.co.nz



750241 Bush
 Washer 850121
 (nut 850032)
 Castor bracket (850084)

Wheel Assy Front (850116)

(Bolt)
 (Wheel) 850116

Bearings are 6

(BEG205-2RS)

Kiwi Mowers Limited
 PO Box 185 Katikati
 Ph 07-549 1237 Fax 07-549 0393
 www.kiwimowers.co.nz
 email: kingcat@xtra.co.nz

When ordering PLEASE QUOTE PART NUMBER & Description, NOT Illustration No.
 Determine right or left hand side from standing in operating position (standing at handle)

CUB 610 Parts Listing

| Part No. | Description | Part No. | Description |
|-------------|-----------------------------|----------|--------------------------|
| 850146m | Blade cub 610 mulch. 10 hp. | 850051 | Bare 610 deck |
| 850146 | Blade -610 6.5 hp. | 750230 | Bush 1" Biloc |
| 755204 | V Belt gearbox | 850151 | Washer-spindle |
| V31 | V Belt blade | 755454 | Spacer-bearing cub610 |
| W02 | V Belt x 2 wheels | 850062 | Arm assy R/H-wheel drive |
| 850238 | Mulch plate | 850063 | Arm assy L/H-wheel drive |
| 850103 | Gearbox | 850091 | Hanger-Deck |
| 850092 | Coupling-Shaft | 850022 | Arm Assy-stabiliser 610 |
| 754124 | Bearing | 850235 | Spacer-Tec 6.5 engine |
| 850038 | Flangette | 850098 | Washer-engine pulley |
| 750405 | Key-woodruff | 850084 | Bracket-castor |
| 850116 | Wheel-front | 850236 | Spindle-cub 610 |
| 850117 | Pulley-idler | 850100 | Spacer-rear cover(10mm) |
| 750308 | Bearing-blade shaft x2 | 850104 | Cover-front |
| 850192 | Knob | 850202 | Guard L/H |
| 750219 | Grease nipple | 850203 | Guard R/H |
| 750388 | Spring-handbrake return | 850111 | Arm-Tension |
| 750385 | Spring-tension | 850156 | Connector-Tie rods |
| 850119 | Spring -lever | 850157 | Link-fixed engage lever |
| 750241 | Bush-black | 850158 | Link-adjustable E/Lever |
| 750207 | Circlip | 850161 | Link Rear -Lift |
| 750370 | Nut-wing M8 | 850164 | Link Front-Lift |
| 752008 | Decal s/n plate | 850166 | Lever-Lift |
| 850186 | Decal control | 850169 | Lever engage |
| 850241 | Decal Cub610 | 850172 | Lever-Gear |
| 754117 | Circlip external | 850239 | Spacer-Rear Cover (8mm) |
| 15013 | Deflector-kingcat | 850033 | Chassis |
| AM088 | Throttle clamp lever | 850069 | Handle Assy |
| AM273 | Deflector pivot rod | 850004 | Panel Control |
| 850081 | Bare deck | 850546 | Link-Control 8mm |
| 850123 | Shaft Assy-output | 850561 | Lever-Control |
| 850128 | Wheel assy-rear | 850563 | Spacer-Lever |
| 850131 | Pulley-wheel | AM052E1 | Deflector Bracket |
| 850134 | Pulley-engine | AM158 | Blade Pulley (spindle) * |
| 850208 | Hub-Pulley | AM242 | Bearing Housing |
| AM272 | Deflector Spring | Misc | Key (for spindle shaft) |
| PIFBB126.59 | Idler Flat FIG BRG Sealed | | |
| 500149 | Hand/Grip/PVC/BLK | | |

SUBJECT: Cub front wheels FROM: Allen

PLEASE CONTACT US IMMEDIATELY IF YOU DO NOT RECEIVE

PAGES INCLUDING THIS COVER SHEET.

| | <u>610 assy</u> | <u>660 assy</u> |
|---------------|----------------------------------|--|
| <u>850116</u> | <u>wheels x2 @ 27.31 each</u> | <u>850502 wheels x2 @ 83.64 each</u> |
| <u>850084</u> | <u>Caster bolt x2 @ 25.73</u> | <u>850530 caster bolts @ 32.27 each</u> |
| <u>850187</u> | <u>3 x 1/2 bolts @ 3.09 each</u> | <u>850857 axles x2 @ 8.27 each</u> |
| <u>850032</u> | <u>1/2 nylon x2 @ .41</u> | <u>500257 110x10 bolt x2 @ 1.72 each</u> |
| <u>750250</u> | <u>Bush x4 each @ 1.65</u> | <u>750127 M10 Nut x2 @ .18 c</u> |
| <u>750207</u> | <u>circ lip x2 each @ 90c</u> | <u>750244 Bush x4 @ 2.23 each</u> |
| <u>Misc</u> | <u>Arm x2 @ 13-40 each</u> | <u>750193 circlip x1 @ 90c each</u> |
| | | <u>{ Misc - Arm x 1 pr @ 17.14 each</u> |

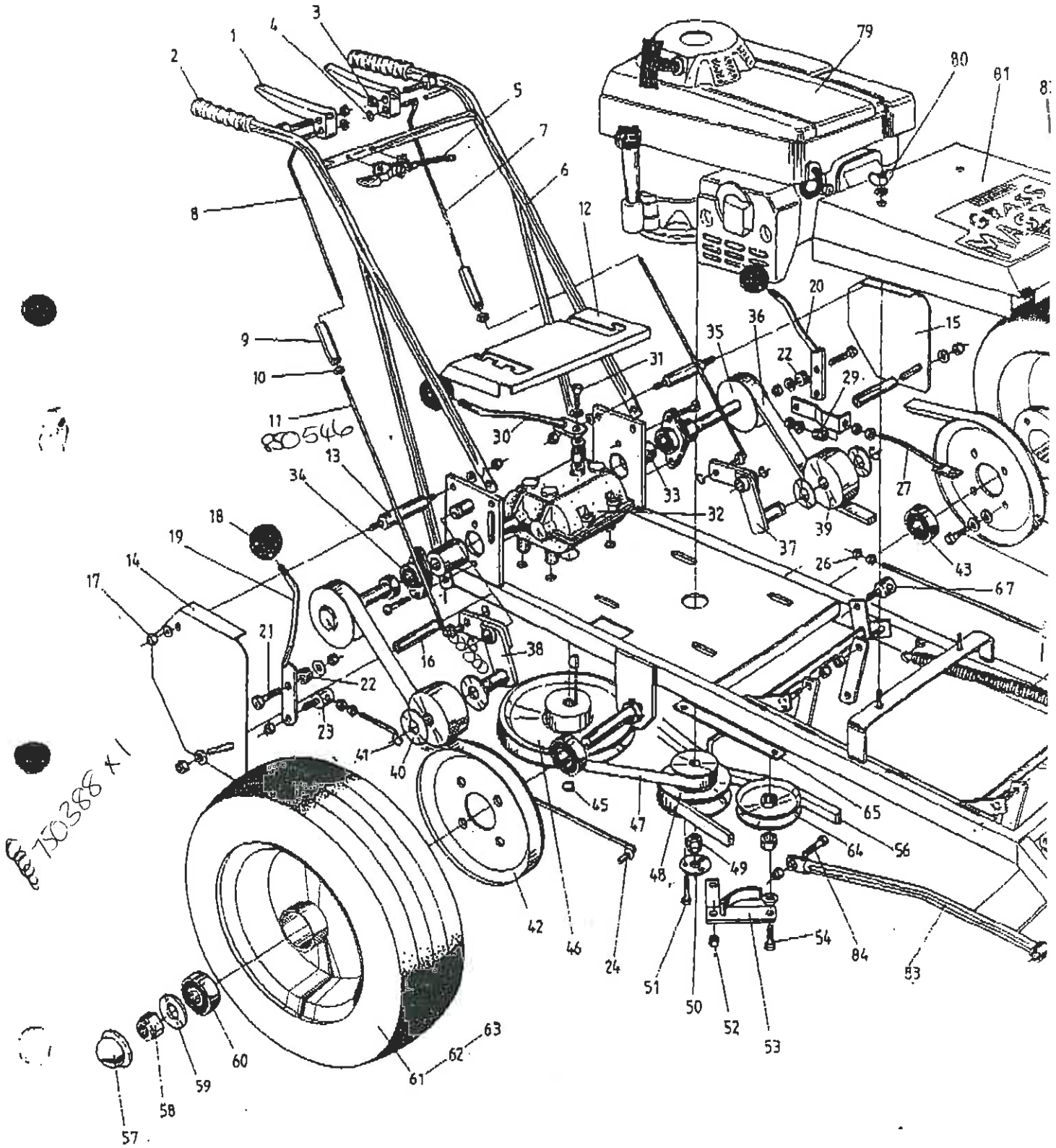
660 sets are a lot stronger than 610

Cub 660 (OR)

Grassmaster 660

Honda GXV 340

- 850142 Saddle - Grassmaster 610.
- 850137 Pulley
- 750686 Lock Collar - Biloc Bush.



When ordering PLEASE QUOTE PART NUMBER & Description, NOT Illustration No.
 Determine right or left hand side from standing in operating position (standing at handle)

GRASSMASTER 660

(1994 to _____)

Grassmaster 660 - Cub 660

Grassmaster 660: Powered by
Honda GXV 340



| Item No | Part No | Description | Qty | Item No | Part No | Description | Qty |
|---------------------|---------|-------------------------------|-----|------------------------|----------------------------------|-----------------------------|-----|
| TRACTOR UNIT | | | | | | | |
| 1 | 850561 | Lever-Control | 2 | 58 | 750128 | Nut, Nyloc M16 | 3 |
| 2 | 754107 | Grip-Hand | 2 | 59 | 850121 | Washer, 5/8" x 1 3/8" | 4 |
| 3 | 750135 | Nut, Nyloc 3/8" | 2 | 60 | 750338 | Bearing | 2 |
| 4 | 750199 | Washer, Starlock 5/16" | 2 | 61 | 850220 | Rim-Grassmaster Rear | 2 |
| 5 | 850864 | Control-Throttle | 2 | 62 | 750762 | Tube-400 x 8 | 2 |
| 6 | 850554 | Handle | 1 | 63 | 850221 | Tyre-400 x 8, Diamond Tread | 2 |
| 7 | 850549 | Link-Control, LH Top | 1 | 64 | 850117 | Pulley-Idler | 1 |
| 8 | 850550 | Link-Control, RH Top | 1 | 65 | 850525 | Arm Assy-Stabiliser | 1 |
| 9 | 850560 | Nut-Adjuster | 1 | 66 | 750385 | Spring-Pan Lift | 1 |
| 10 | 750129 | Nut, M8 | 2 | 67 | 500196 | Toggle-Pan Lift | 2 |
| 11 | 850546 | Link-Control | 7 | 68 | 850516 | Hanger-Deck | 4 |
| 12 | 850860 | Panel-Control | 2 | 69 | 750170 | Bolt, M10 x 50 | 4 |
| 13 | 850099 | Bolt, Spacer-Rear Cover | 2 | 70 | 850539 | Chassis | 1 |
| 14 | 850203 | Guard-RH | 1 | 71 | 500266 | Collar-Shaft, 3/4" | 2 |
| 15 | 850202 | Guard-LH | 1 | 72 | 750103 | Screw, Grub 5/16" x 3/8" | 2 |
| 16 | 850100 | Sleeve, Spacer-Rear Cover | 1 | 73 | 500321 | Bush | 4 |
| 17 | 750102 | Nut, Nyloc M8 | 2 | 74 | 850530 | Bracket-Castor | 2 |
| 18 | 850192 | Knob, 3/8" x 1 1/4" | 21 | 75 | 850530 | Bracket-Castor | 2 |
| 19 | 850538 | Lever-Lift | 3 | 76 | 500257 | Bolt, M10 x 110 | 2 |
| 20 | 850169 | Lever-Engage | 1 | 77 | 750127 | Nut, Nyloc M10 | 23 |
| 21 | 850026 | Bolt, M10 x 55 | 1 | 78 | 850502 | Wheel-Solid Rubber, 200mm | 2 |
| 22 | 850119 | Spring-Lever | 2 | 79 | | | - |
| 23 | 500196 | Toggle-Pan Lift | 2 | 80 | 750370 | Nut, Wing M8 | 2 |
| 24 | 850537 | Link-Rear Lift | 1 | 81 | 850534 | Cover-Front | 1 |
| 25 | 850556 | Link-Front Lift | 1 | 82 | | | - |
| 26 | 750105 | Nut, M10 | 4 | BAIL ASSY | | | |
| 27 | 850158 | Link-Engage Lever, Adjustable | 1 | 850866 | Bail Hande Assy | | 1 |
| 28 | 850157 | Link-Engage Lever, Fixed | 1 | 850082 | • Handle-Bail | | 1 |
| 29 | 754226 | Spring-Engage | 1 | 850108 | • Bracket-Arm Control | | 2 |
| 30 | 850580 | Lever-Gear | 1 | 750103 | • Screw, Grub 5/16 x 3/8" | | 2 |
| 31 | 750177 | Bolt, 1/4" x 3/4" | 1 | 850154 | • Toggle | | 2 |
| 32 | 850103 | Gearbox | 1 | 850069 | • Handle-Upper | | 1 |
| 33 | 850092 | Coupling-Shaft | 2 | 850175 | • Link-Control | | 1 |
| 34 | 754124 | Bearing | 2 | 750237 | • Knob-Control | | 1 |
| 35 | 850507 | Shaft/Pulley Assy-Output | 2 | 850172 | • Lever-Gear | | 1 |
| 36 | 850115 | Belt, A46 | 2 | 850004 | • Panel-Control | | 1 |
| 37 | 850063 | Arm Assy-LH Wheel Drive | 1 | NOT ILLUSTRATED | | | |
| 38 | 850062 | Arm Assy-RH Wheel Drive | 1 | 850506 | Tank-Fuel | | 1 |
| 39 | 850126 | Pulley-Jockey | 2 | 560376 | Cap-Tank | | 1 |
| 40 | 850120 | Washer, 1" x 1 7/8" | 4 | 850547 | Washer, Mounting Tank | | 4 |
| 41 | 754116 | Circlip, 25mm External | 2 | 751227 | Elbow | | 1 |
| 42 | 850131 | Pulley-Wheel | 2 | 754143 | Tailpiece | | 1 |
| 43 | 750338 | Bearing | 2 | 750214 | Washer, 5/16" x 1 1/4" | | 4 |
| 44 | 750181 | Screw, Set M8 x 16 | 14 | 750331 | Hoseclip | | 2 |
| 45 | 750207 | Circlip, 16mm External | 1 | 850571 | Hose-Fuel | | 1 |
| 46 | 850508 | Pulley-Gearbox Input | 1 | 850570 | Spacer-Front Tank | | 1 |
| 47 | 850210 | Belt, A32 | 1 | 850568 | Spacer-Rear Tank | | 1 |
| 48 | 850134 | Pulley-Engine | 1 | 750106 | Bolt, M8 x 90 | | 2 |
| 49 | 750230 | Bush, 1" | 1 | 850857 | Axle-Front Wheel | | 2 |
| 50 | 850098 | Washer-Engine Pulley | 1 | 750405 | Key-Woodruff, 3/16" x 3/4" | | 1 |
| 51 | 850505 | Screw-Cap, M6 x 16 | 3 | 750388 | Spring-Drive Control Link | | 2 |
| 52 | 750127 | Nut, Nyloc M10 | 23 | 750413 | Washer-Slot Hardened, Gear Lever | | 1 |
| 53 | 850111 | Arm-Tension | 1 | 750092 | Washer-Heavy, Gear Lever | | 1 |
| 54 | 850036 | Bolt, 3/8" x 1 3/4" | 1 | 754117 | Circlip, 12mm External | | 2 |
| 55 | 850569 | Guard-Belt, Rear | 1 | | | | |
| 56 | 754123 | Belt, B52 | 1 | | | | |
| 57 | 750292 | Cap-Grease | 2 | | | | |

Cub 660 / Grassmaster 660.

| Item No | Part No | Description | Qty | Item No | Part No | Description | Qty |
|-------------------------------|---------|-------------------|-----|------------------------|------------------------|---------------------|-----|
| BLADE AND HOUSING ASSY | | | | 13 | 750338 | Bearing | 2 |
| 1 | 750219 | Nipple, Grease M6 | 3 | 14 | 500099 | Housing-Spindle | 1 |
| 2 | 750128 | Nut, Nyloc M16 | 3 | 15 | 750119 | Screw, M8 x 30 | 4 |
| 3 | 850151 | Washer, Spindle | 1 | 16 | 850511 | Spindle Assy | 1 |
| 4 | 850509 | Pulley-Spindle | 1 | 17 | 750127 | Nut, Nyloc M10 | 23 |
| 5 | 754123 | Belt, B52 | 1 | 18 | 850515 | Blade | 1 |
| 6 | 850517 | Deck Assy | 1 | 19 | 750266 | Screw, Set M10 x 30 | 2 |
| 7 | 750116 | Screw, M8 x 20 | 4 | 20 | 750266 | Bolt, M10 x 30 | 1 |
| 8 | 850074 | Bracket-Flap | 1 | 21 | 750686 | Bush-Pulley Centre | 1 |
| 9 | 750102 | Nut, Nyloc M8 | 21 | NOT ILLUSTRATED | | | |
| 10 | 750116 | Screw, M8 x 20 | 4 | 850086 | Spacer-Single Bearings | 1 | |
| 11 | 850075 | Flap | 1 | | | | |
| 12 | 750282 | Seal-Spindle | 2 | | | | |

CUB 660 Parts Listing

| Part No. | Description | Part No. | Description |
|----------|--------------------------------|------------|---------------------------------------|
| 850515 | Blade Cub 660 | 850860 | Panel-Control |
| 755204 | V Belt-drives Gearbox | 850863 | Owners Manual |
| W02 (x2) | V Belt-side | Pifbb12659 | Idler,Flat, Flg, Brg,Sealed |
| 754123 | V Belt- Blade | AM088 | Throttle Clamp lever + Cub 02 |
| 850103 | Gearbox | AM272 | Deflector Spring |
| 850092 | Coupling-shaft | AM273 | Deflector Pivot Rod |
| 754124 | Bearing AEL202 010 | AM052E1 | Deflector Bracket |
| 850038 | Flangette PFL203 | 15013 | Deflector-Kingcat |
| 750405 | Woodruff Key | 850410 | Mulch Plate Cub 660 |
| 850502 | Wheel c/w tyre 250 x 4 (FRONT) | 850307 | Socket-cap |
| 850117 | Pulley idler (Blade engage) | 750385 | Spring-tension |
| 750338 | Bearing 6205 | 850507 | Shaft Assy-output 660 |
| 750282 | Seal 35-52-7 | 850129 | Wheel Assy Rear c/w rim tyre and tube |
| 750198 | Pin-cotter | 850902 | 400 x 8 x 4 ply tractor grip tyre |
| 850192 | Knob Black | 850901 | Rim only rear Cub 660 |
| 750219 | Grease Nipple Straight | 850903 | Tube 350 x 400 x 8 |
| 750388 | Spring-Handbrake Return | 850131 | Pulley-wheel |
| 850119 | Spring Lever | 850134 | Pulley-engine |
| 750250 | Bush-Black Front axle | 850509 | Pulley-Spindle 660 |
| 750207 | Circlip 16mm external | 500099 | Housing-spindle |
| 750370 | Nut-Wing M8 | 850511 | Spindle Cub660 |
| 750413 | Washer-2530-P1 Transaxle | 500111 | Bush-taper |
| 752008 | Decal-S/N plate | 750230 | Bush 1" Biloc |
| 850503 | Decal Cub 660 | 850151 | Washer-spindle |
| 850504 | Decal-Control 660 | 850086 | Spacer -Brg-deck |
| 754117 | Circlip-external M12 | 850089 | Spacer-Pulley |
| 750193 | Circlip 19mm x2 | 850062 | Arm Assy RH Wheel Drive |
| 850584 | Arm-tension 660 | 850063 | Arm Assy LH Wheel Drive |
| 850157 | Link-fixed engage lever | 850516 | Hanger-Deck 660 |
| 850158 | Link-Adjustable E/Lever | 850517 | Deck Assy Cub 660 |
| 850582 | Lever-engage 660 | 850525 | Arm Assy-stabiliser 660 |
| 850580 | LeverGear 660 | 850098 | Washer-Engine pulley |
| 850539 | Chassis Cub 660 | 850530 | Bracket Castor 660 (FORK) |
| 850856 | Link- Lift Front | 850239 | Spacer -rear cover |
| 500196 | Toggle -(Pan Lift) Black | 850100 | Spacer-rear cover 10mm |
| 850857 | Axle -Front Cub 660 | 850569 | Belt guard rear 660 |
| 850553 | Handle Assy -Lever Control 660 | 850534 | Cover -Front 660 |
| 850202 | Guard L/H | 850590 | Pulley-gearbox input |
| 850203 | Guard R/H | 850517 | Deck Assy |

500149 Rubber Handgrip.

Modification. Speedup kit 750261 + 500217 Pulley

SPARE PARTSLIST FOR KINGCAT CUB 660

| <u>P/NUMBER</u> | <u>DESCRIPTION</u> |
|-----------------|---------------------------------|
| 850515 | BLADE |
| 850511 | SPINDLE |
| 750338 | SPINDLE BEARINGS X 2 |
| [750282 | SPINDLE SEALS X 2 |
| 754123 | BELT - BLADE DRIVE |
| 750261 | BELT - GEARBOX DRIVE |
| W02 | BELT - WHEEL DRIVE X 2 |
| BB126598 | IDLER PULLEY - WHEEL DRIVE X 2 |
| 850114 | IDLER PULLEY - BLADE BELT |
| BBSAN25 | BEARING - OUTPUT SHAFT X 2 |
| 850507 | OUTPUT SHAFT / PULLEY ASSY X 2 |
| 850092 | COUPLING - OUTPUT SHAFT |
| 850502 | FRONT WHEEL X 2 |
| 850530 | CASTER BRACKET X 2 |
| 750250 | PIVOT BUSH - CASTER BRACKET X 4 |
| 850561 | CONTROL LEVER X 2 |
| 850103 | 3 SPEED GEARBOX |
| 850549 | LINK - LEVER TOP L/H |
| 850550 | LINK - LEVER TOP R/H |
| 850546 | LINK - LEVER BOTTOM X 2 |
| 850560 | ADJUSTER NUT - LEVER LINK |

Bare Deck Assy 850517.