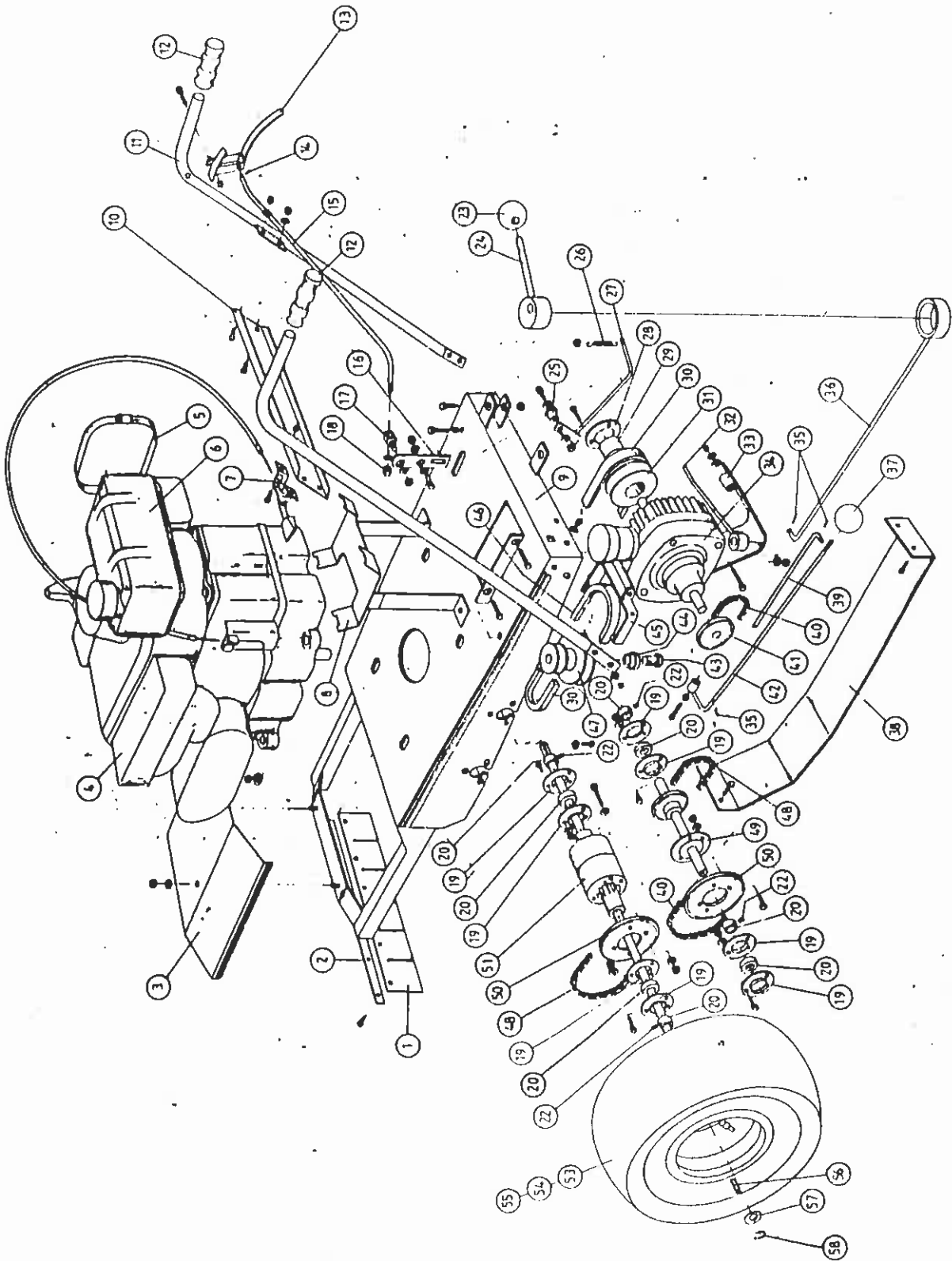


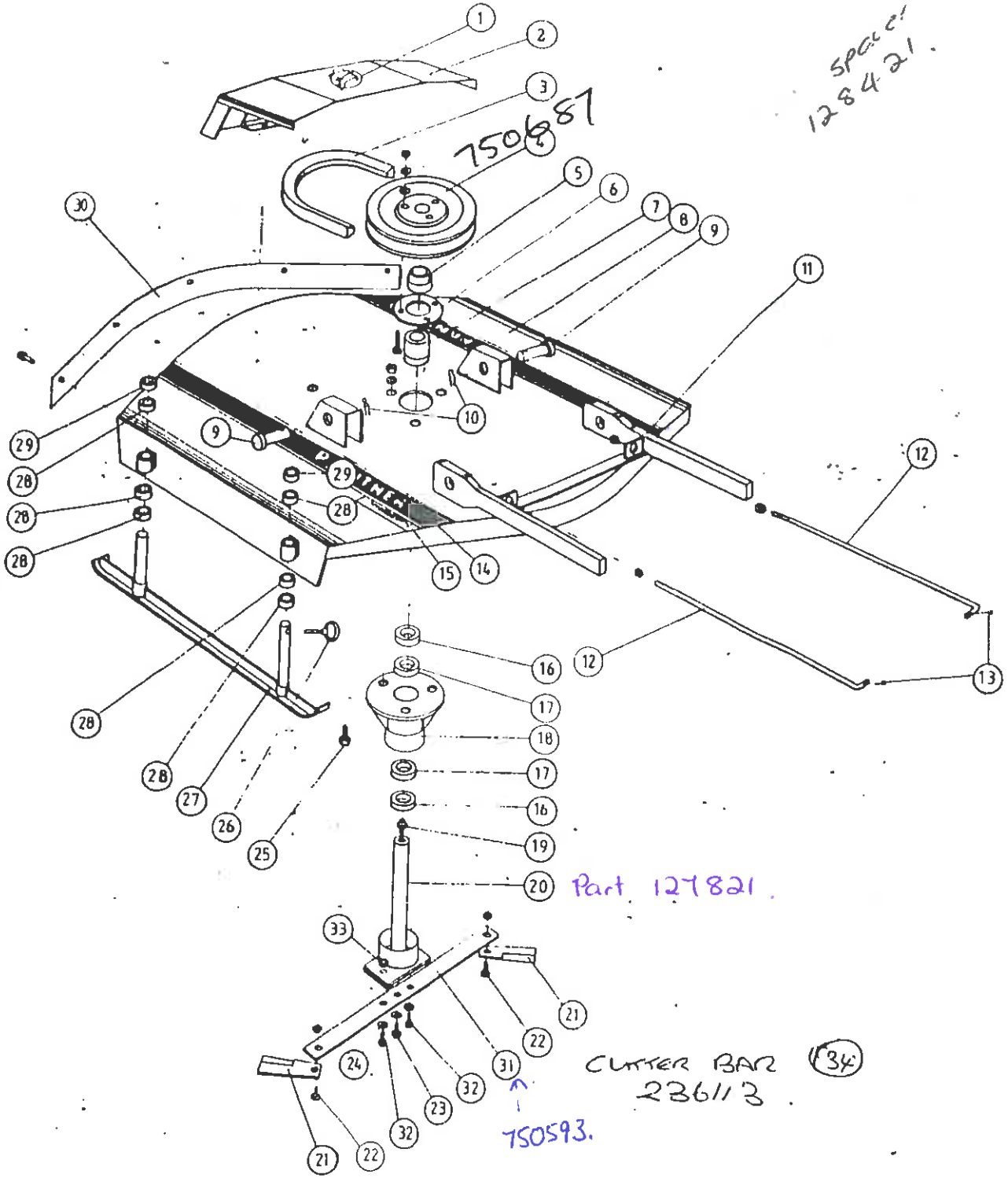
Walk behind Panther.

# PANTHER



# PANTHER CUTTING ATTACHMENT

SPACER SPINDLE  
128421



03 442 8896

## PANTHER CUTTING ATTACHMENT PARTS LIST

### PANTHER TRACTOR UNIT PARTS

REF NO.	PART NO.	DESCRIPTION
<del>1</del>	<del>130113</del>	<del>Skirt (Rubber)</del>
<del>2</del>	<del>130213</del>	<del>Skirt Strap</del>
<del>3</del>	<del>130313</del>	<del>Cover Fixed</del>
<del>4</del>	<del>329813</del>	<del>Engine 8HP B&amp;S</del>
	<del>329913</del>	<del>Engine 11HP B&amp;S</del>
	<del>330013</del>	<del>Engine 11HP Honda</del>
5	503170	Fuel Tank Clamp
6	560453	Fuel Tank
7	750329	Throttle Control Assy
<del>8</del>	<del>230913</del>	<del>Fuel Tank Bracket</del>
<del>9</del>	<del>131013</del>	<del>Chassis</del>
<del>10</del>	<del>131213</del>	<del>Cross Member</del>
<del>11</del>	<del>131313</del>	<del>Handle Bar R/H</del>
	<del>131413</del>	<del>Handle Bar L/H</del>
<del>12</del>	<del>231513</del>	<del>Hand Grip</del>
<del>13</del>	<del>131613</del>	<del>Control Lever</del>
<del>14</del>	<del>231713</del>	<del>Split Pin</del>
<del>15</del>	<del>131813</del>	<del>Control Link</del>
<del>16</del>	<del>131913</del>	<del>Control Arm</del>
<del>17</del>	<del>132013</del>	<del>Rod End</del>
<del>18</del>	<del>229210</del>	<del>Nut</del>
<del>19</del>	<del>232113</del>	<del>Bearing Housing</del>
<del>20</del>	<del>232213</del>	<del>Bearing</del>
<del>22</del>	<del>232313</del>	<del>Grub Screw</del>
23	750237	Knob
<del>24</del>	<del>132413</del>	<del>Blade Control Lever</del>
<del>25</del>	<del>132513</del>	<del>Spacer</del>
<del>26</del>	<del>232613</del>	<del>Spring</del>
27	132713	Neutral Index Control
28	751068	Retainer - Threaded
<del>29</del>	<del>132810</del>	<del>Tapered Bush</del>
30	750345	Belt - OPTI A29
31	233010	Hydrostatic Pulley
<del>32</del>	<del>233113</del>	<del>Hydrostatic Arm</del>
<del>33</del>	<del>233213</del>	<del>Hydrostatic Guard</del>
<del>34</del>	<del>333310</del>	<del>Hydrostatic Unit</del>
<del>35</del>	<del>233410</del>	<del>Split Pins</del>
<del>36</del>	<del>133513</del>	<del>Blade Control Link</del>
37	750237	Knob
<del>38</del>	<del>133713</del>	<del>Chain Guard</del>
<del>39</del>	<del>133813</del>	<del>Push Rod</del>
40	233913	Primary Drive Chain
41	234013	Sprocket (Primary Drive)
42	134113	Dump Valve Control
<del>43</del>	<del>219110</del>	<del>Bolt</del>
<del>44</del>	<del>134213</del>	<del>Space Washer</del>
45	134313	Bell Guard
46	750262	Belt - PTO B68
<del>47</del>	<del>234513</del>	<del>Engine Pulley</del>
48	234613	Final Drive Chain
49	134713	Lay Shaft
50	758103	Sprocket 45T

REF NO. PART NO. DESCRIPTION

<del>1</del>	<del>213110</del>	<del>Decal - Kingcat</del>
<del>2</del>	<del>135320</del>	<del>Cover (Hinged)</del>
3	750262	Blade Belt - B68
4	750687	Pulley - Drive Input
5	750686	Bush - Tapered
6	751068	Retainer - Threaded
7	128421	Spacer - Spindle
<del>8</del>	<del>135423</del>	<del>Rotor Pan</del>
<del>9</del>	<del>135523</del>	<del>Pivot Pin</del>
<del>10</del>	<del>235623</del>	<del>Clip</del>
<del>11</del>	<del>135713</del>	<del>Connecting Arm Assy</del>
12	135813	Rod - Push
<del>13</del>	<del>231713</del>	<del>Split Pin</del>
<del>14</del>	<del>235913</del>	<del>Decal - Panther</del>
<del>15</del>	<del>236013</del>	<del>Decal - Hydrostatic</del>
16	750282	Seal - Spindle
17	750338	Bearing - Spindle
18	750680	Housing - Spindle
<del>19</del>	<del>213730</del>	<del>Grease Nipple</del>
20	127821	Spindle
21	750543	Blade - Flat
	236113	Blade - 1 piece
22	750574	Blade - Bolt & Nut
<del>23</del>	<del>228821</del>	<del>Bolt</del>
<del>24</del>	<del>236823</del>	<del>Washer</del>
<del>25</del>	<del>236723</del>	<del>Bolt &amp; Nut</del>
26	<del>236223</del>	<del>Rin Lynch</del> CLIP - GRIP
27	136323	Skid
28	136423	Spacer - Wide
29	136523	Spacer - Narrow
30	136623	Skirt - Metal
31	750593	Cutter Bar
<del>32</del>	<del>228721</del>	<del>Bolt</del>
<del>33</del>	<del>229720</del>	<del>Nut</del>

### PANTHER TRACTOR UNIT PARTS LIST (Continued)

REF NO.	PART NO.	DESCRIPTION
51	758102	Differential
53	750259	Tyre 16 x 650 x 8
	750542 MG	Tyre (Mudgrip) 16 x 650 x 8
54	750258	Tube 16 x 650 x 8
	750762	Tube 480/400 x 8
55	<del>750767</del>	<del>Rim</del> <sup>100 3/4"</sup> <del>Half 5"</del>
56	750613	Key - Rear Wheel Drive
57	235013	Washer
58	750193	Circlip
	<del>135423</del>	<del>Rotor Pan</del>

ON DECK LIST