

Introduction

Thank you for deciding to purchase a quality AgriQuip Hydrasplitter. Please follow the following connection, operation, maintenance and safety instructions to get the best use of your splitter.

This operating manual contains basic instructions that must be followed during connection, operation and maintenance. Read this manual before attempting to operate the Hydrasplitter.

Keep this manual handy at all times



TPL Specifications

Length	1700 mm
Width	880 mm
Height	540 mm
Maximum Jaw Opening	400 mm
Hydraulic Supply Requirements	30 L/min



VTL Specifications

Depth	900 mm
Width	1200 mm
Height	1650 mm
Maximum Jaw Opening	400 mm
Hydraulic Supply Requirements	30 L/min

Qualification and Training of Personnel

The Hydrasplitter must only be used, serviced and maintained by personnel that are familiar with the machine and are informed about its dangers.

The owner is responsible for the competence and supervision of the operator. If the operator does not have the necessary knowledge, they must be trained and instructed, failing this they must be 100% supervised. It is not just sufficient to give the operator this manual, the owner must be completely satisfied that the operator fully understands the contents of this operating manual.

Maintenance work that is not described in this operating manual must only be conducted by authorised qualified workshops.

Safety Instructions & Warning Signs

Failure to heed the safety instructions and warning signs will place people and the environment at risk, as well as compromising the operation of the machine.

Failure to comply with the instructions and precautions given in this manual will invalidate the warranty in respect of claims for damage.

Failure to comply with the instructions for service and maintenance and failure to heed the safety instructions and warning signs can lead to the following:

- ◆ Hazards to people due to non-secured work areas
- ◆ Failure of important machine functions
- ◆ Hazards to people and environment due to mechanical and chemical influences
- ◆ Invalidation of warranty

Connection

The Hydrasplitter is designed to mount to the three point linkage of a tractor.

To install the machine onto your tractor:

- 1) Place the splitter on a firm and stable platform at a minimum of 300mm high.
- 2) Remove the lynch pins from the lower two link pins and remove the top link pin and set aside.
- 3) Reverse tractor to the splitter and mount the lower link arms to the lower link pins using bushes if need be.
- 4) Connect the top link to the top link pin in the splitter, ensuring all three lynch pins are returned and locked in place.
- 5) Adjust the top link pin to make the splitter level.
- 6) Connect the two hoses to the tractor hydraulics. *(For optimum performance connect return line from valve to a free dump port returning oil directly to transmission)*

NOTE: A pressure and return circuit is necessary as well as a detent on the hydraulic remote control lever on the tractor

Operation

Ensure the tractor hand brake is engaged

You can now start your splitting operation.

- 1) Start the tractor and engage the hydraulic control to give you oil flow to the splitter.
- 2) Place wood rings close to the anvil, remove all hands from the splitting area and move the lever to the left (TPL), or down (VTL).
- 3) When the wood has split, move the lever to the hard right (TPL), or fully up (VTL), which will automatically return the ram and reset the lever to the neutral position.

On completion of splitting the ram must be fully retracted so that the Hydrasplitter can be re-connected with the ram in this position.

Safety Precautions

- Before starting work, familiarise yourself with all equipment, operating parts and their functions – during operation there maybe no time to do this
- Avoid loosely fitting clothes
- Check the immediate area before moving and before starting operation for animals, children and bystanders.
- Start the Hydrasplitter only if all safety equipment and guards are attached and correctly positioned
- Keep hands well away from the working area
- Do not reach over the wedge when operating the machine
- All service, inspection and maintenance work detailed in this manual is carried out by trained personnel
- Inspection and maintenance work on the machine must only be carried out with the ram and lever in the neutral position, the tractor engine stopped and the Hydrasplitter firmly supported – do not rely on the tractor hydraulics
- Directly after maintenance and inspection, all safety equipment and guards must be reattached or made functional.

Maintenance

Removing Trapped Air from the Hydraulic System (Bleeding)

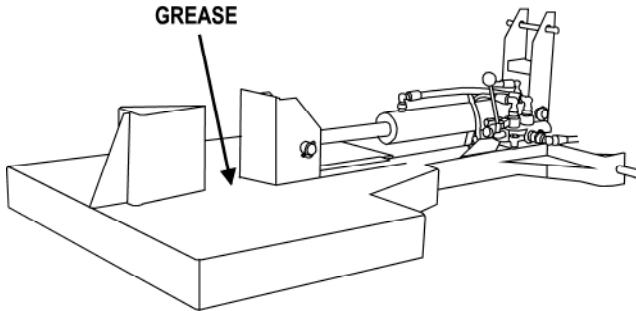
After connecting the splitter for the first time and after work has been performed on the hydraulic rams or valves, the Hydrasplitter will have to have any trapped air removed before putting it into service. This is known as “bleeding” the system.

To bleed the system perform the following steps:

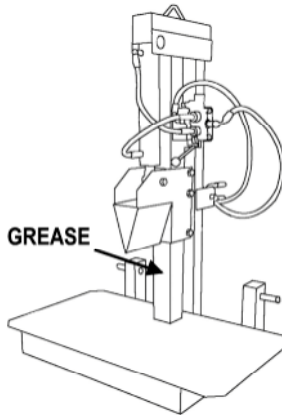
- 1) Keeping the control level in the neutral position leave the engine running for a few minutes (ensure that the oil reservoir has been filled first);
- 2) Speed the engine up to between 1200 rpm and 1400 rpm;
- 3) Alternatively move the control lever fully from one position to the other, repeating this a few times;

Check the hydraulic oil level after this procedure, topping up if necessary.

Lubrication Points



TPL Lubrication Points



VTL Lubrication Points

Storage & Protection

So that the Hydrasplitter continues to function efficiently and has a longer working life, follow these precautions:

- Do not twist or kink the hoses;
- Empty before storing;
- Always use a clean lint-free cloth for cleaning the hydraulic connections;
- Wash thoroughly with hose and remove all residues of gum, etc;
- Lower attachment to the ground when not in operation;
- Keep in a dry place.

Parts Replacement

The owner must ensure that all replacement of parts and assembly work is carried out by AgriQuip authorised personnel.

Conversion of, or changes to, the machine will only be permitted after consultation with AgriQuip.

AgriQuip original spare parts and accessories prolong the useful life of the Hydrasplitter, ensure correct and efficient operator and do not compromise safety.

The use of other than AgriQuip original parts invalidates the warranty.

Trouble Shooting

PROBLEM	CAUSE	SOLUTION
Quick couplers will not mate	Fittings of different types	Change so that the male and female fittings are the same type
Equipment cannot be put into operation or is put into operation with difficulty	Hydraulic hoses restricted	Clear or change the hoses
	Insufficient hydraulic pressure at the control	Adjust the relief valve using a pressure gauge.
	Crossed or reversed hoses	Carry through a thorough examination and connect hoses correctly
	Defective hydraulic ram	Change or repair the ram
	Tractor has defective hydraulic system	Consider changing to the equipment to another tractor and/or to fix it
	Low oil level	Fill the oil up to correct level
Oil leaking from the hydraulic rams	Damaged cylinders	Repair or replace cylinder
	Damaged piston *	Repair or replace
	Dirty oil	Change the oil and filter
	Excessive oil pressure	Adjust the relief valve using a pressure gauge.
Oil leaking from the quick coupling	Damaged coupling	Repair or replace coupling
Hydrasplitter lowers when tractor controls are in neutral	Tractor hydraulic cylinder damaged	Repair or replace cylinder

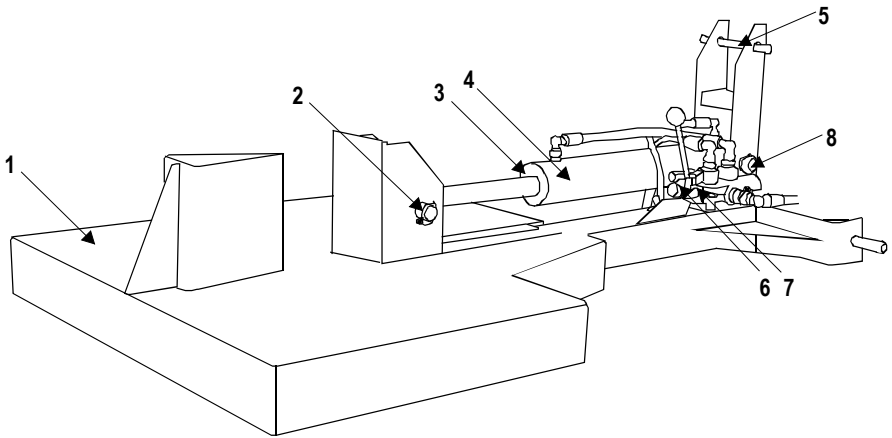
* = to check for damage remove the piston and check for holes, cracks and burrs.

Warranty

- The Agriquip Hydrasplitter is covered by a comprehensive warranty against faulty materials and workmanship provided that:
 - ◆ The machine is operated in normal use as set out in this Owner's Manual;
 - ◆ The machine is correctly serviced and maintained as specified in this manual;
 - ◆ The machine is worked within its stated capacity (i.e. horsepower limit and P.T.O. speed);
 - ◆ The machine is not subjected to any modifications, including non-genuine parts, or defects resulting from repair or alteration performed by other than authorised Agriquip dealers;
 - ◆ Agriquip is in receipt of duly signed pre-delivery and installation certificate;
 - ◆ The machine has not been damaged from improper use or by the use of non-genuine parts.
- Agriquip warrant, subject to the conditions mentioned above, that should any defect in workmanship or materials occur in the goods of Agriquip, within 6 months from the date of original purchase, or 500 hours of machine operation (whichever comes first) we will repair or, at our option, replace the defective goods without making any charge for labour or materials. We will also allow provision within our terms and conditions a labour charge of \$30 (+GST) where repairs are to be carried out by an authorised dealer.
- Machines sold into the hire industry shall be void of warranty.
- The following items are not covered by Agriquip warranty:
 - ◆ Hydraulic rams and hoses;
 - ◆ Freight costs;
 - ◆ Loss of income from the machine due to a warranty fault;
 - ◆ Use of non-genuine parts to re-instate the machine.
- Definition of Warranty Period
The warranty expiration date is determined by calendar months from date of delivery to the first owner/user and is not affected or prolonged because the machine is idle for any part of the warranty period.

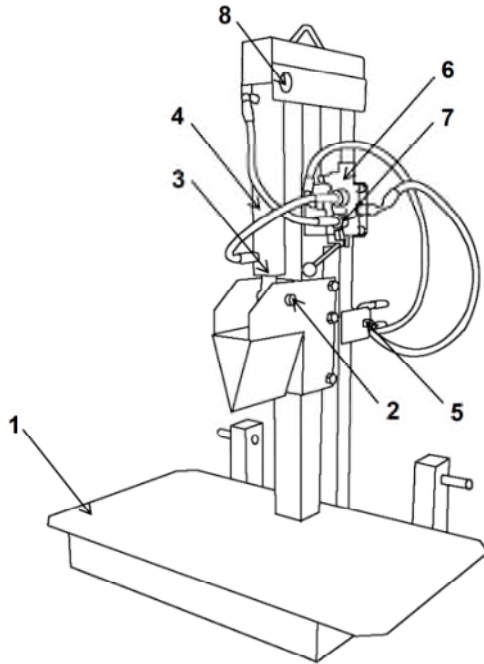
NOTE! Agriquip reserves the right to introduce modifications to its products and/or to perfect them, without any obligation to apply the modifications to products previously manufactured.

TPL Parts Manual



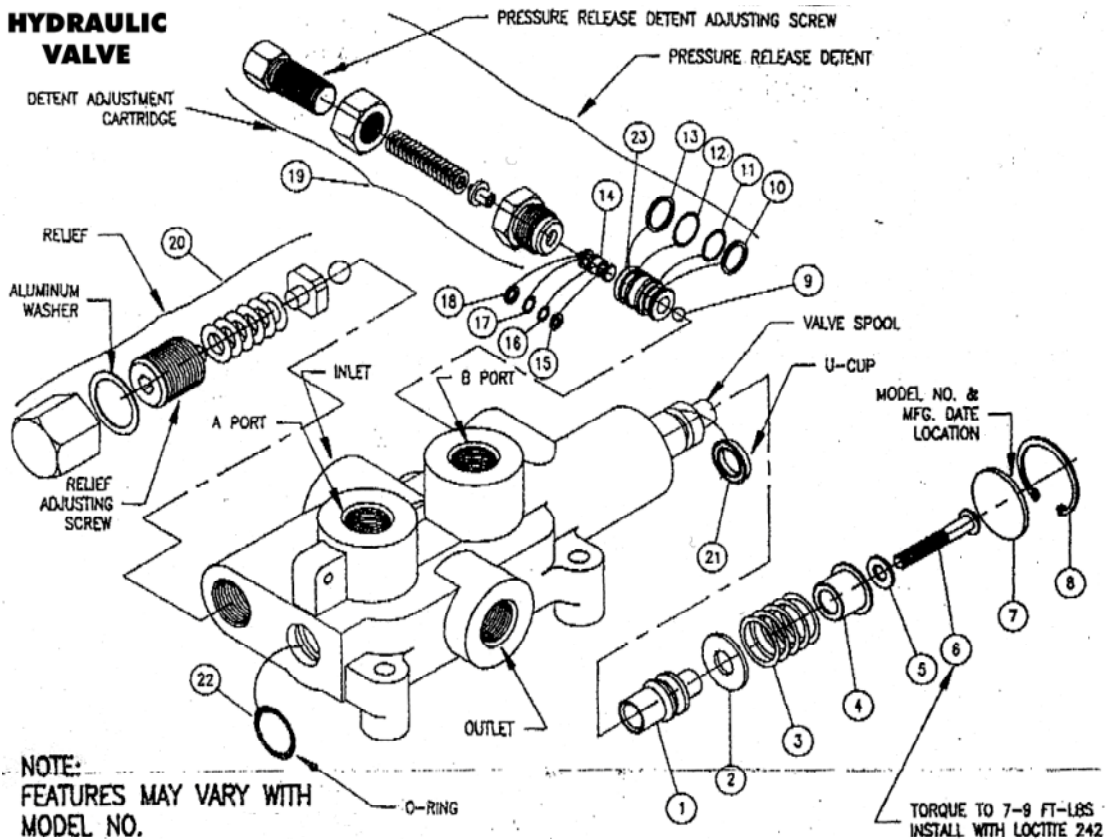
Item	Part No.	Description
1	49765	Main frame
2	49766	Rod end pin
3	49767	Ram seal kit
4	49772	Ram
5	49768	Top link pin
6	49771	Valve assembly
7	49769	Valve seal kit
8	49770	Ram pin

VTL Parts Manual



Item	Part No.	Description
1		Main frame
2	49766	Rod end pin
3	49767	Ram seal kit
4	49772	Ram
5	49768	Top link pin
6	49771	Valve assembly
7	49769	Valve seal kit
8	49770	Ram pin

HYDRAULIC VALVE



PLEASE NOTE:

BEFORE REMOVING VALVE SPOOL OR SPOOL SLEEVE REMOVE DETENT ADJUSTING CARTRIDGE, DETENT PISTON AND STEEL BALL. INSERT SPOOL AND SPOOL SLEEVE BEFORE INSERTING STEEL BALL.

HYD. VALVE KITS & CARTRIDGES**PRESSURE RELEASE DETENT**

This feature provides a pressure release detent for the spool "out" (handle in) position. When the spool is manually placed in the detent position oil is directed to the 'B' port (the port away from the handle). When the pressure in the 'B' port reaches a preset level the detent will release and the spool will centre. The factory setting is 1400 psi. The detent release pressure is adjustable by loosening the jam nut turning the adjusting screw. Turning the adjusting screw clockwise will increase the detent release pressure and counterclockwise will decrease the detent release pressure. NOTE: if the detent release pressure is set too high the spool will not centre. If the pressure is too low the detent will not hold. If cap screw (#6) becomes loose detent will not function properly.

RELIEF VALVE

An adjustable ball spring relief valve is standard on all Hydrasplitter hydraulic valves. The standard factory setting is 2250 psi @ 3 gpm and 120°F.

Other settings can be specified.

The relief pressure is adjusted by removing a con nut, and turning the adjusting screw. Turning the adjusting screw clockwise will increase the pressure and counterclockwise will decrease the pressure (a pressure gauge must be installed in the inlet line whenever the relief pressure is adjusted). Do not back out adjusting screw to the point it falls out.



WARNING: OVERPRESSURE MAY CAUSE SUDDEN AND UNEXPECTED FAILURE OF A COMPONENT IN THE HYDRAULIC SYSTEM RESULTING IN SERIOUS PERSONAL INJURY. ALWAYS USE A GAUGE WHEN ADJUSTING RELIEF VALVE.

ITEM	QTY	DESCRIPTION
1	1	DETENT SLEEVE
2	1	WASHER
3	1	SPRING
4	1	STOP CUP
5	1	WASHER
6	1	CAP SCREW
7	1	SPACER
8	1	SNAP RING
9	1	STEEL BALL
10	1	BACK-UP WASHER
11	1	O-RING
12	1	O-RING
13	1	BACK-UP WASHER
14	1	PISTON
15	1	BACK-UP WASHER
16	1	O-RING
17	1	O-RING
18	1	BACK-UP WASHER
19	1	DETENT ADJUSTING CART.
20	1	RELIEF KIT
21	1	U-CUP
22	1	O-RING
23	1	PISTON SLEEVE
		SEAL KIT
		RELIEF KIT
		DETENT ADJUSTING CART.
		PRESSURE RELIEF DETENT KIT
		COMPLETE HANDLE KIT

